

CABLE 278 RF: MMCX R/A PLUG + FRONT MOUNT RP TNC BULKHEAD WITH O-RING RATED TO IP67/68 + MULTIPLE CABLE SIZES

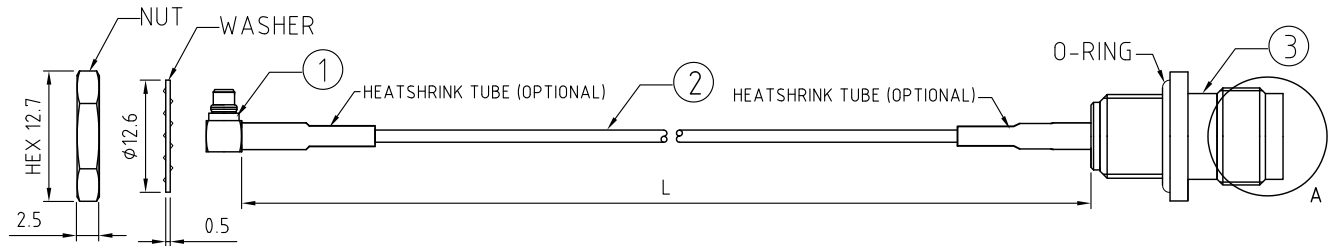
SPECIFICATIONS :

- MMCX RIGHT ANGLE PLUG, P/N:
FOR $\phi 1.32\text{MM}$ DOUBLE SILVER SHIELDING & $\phi 1.37\text{MM}$ CABLES:
RFCT-MMCX003-M78.
FOR $\phi 1.32\text{MM}$ CABLE: RFCT-MMCX005-M32
- COAXIAL CABLE, SEE CABLE SIZE OPTIONS.
- FRONT MOUNT RP TNC BULKHEAD JACK WITH O-RING RATED TO IP67/68, P/N: RFCT-TNC003-F78.

USAGE PRECAUTIONS: CABLES USING 'MICRO' COAX ARE DELICATE:
 (i) HANDLE WITH CARE.
 (ii) DO NOT TWIST; APPLY EXCESSIVE FORCES OR SHARP BENDS TO THE CABLE. DO NOT FORCEFULLY DEFORM WIRES.
 (iii) CONSULT CONNECTOR MANUFACTURER'S DATASHEETS FOR DETAILED NOTES ON HANDLING INSTRUCTIONS.

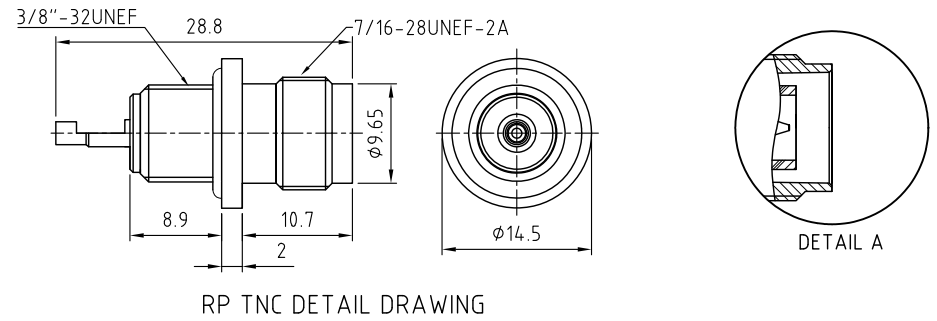
ENVIRONMENTAL:

- A. BULKHEAD MOUNTED CONNECTOR (RFCT-TNC003-F78) RATED TO THE FOLLOWING SPECIFICATION:
- IP6X - DUST TIGHT - NO PARTICLE INGRESS.
 - IPX7 WATERPROOF FOR 30 MINUTES UP TO 1 METER UNDERWATER.
 - IPX8 WATERPROOF FOR 48 HOURS AT 1 METER UNDERWATER.



NOTES:

- WORKING FREQUENCY RANGE: DC-3GHz
- IT IS INTENDED THAT MOUNTING OF THIS CONNECTOR IS ACHIEVED USING THE NUT AND WASHER PROVIDED. PLEASE CONTACT GRADCONN FOR ADVISE IF PLANNING TO USE A DIFFERENT METHOD OF MOUNTING.



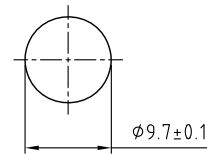
HOW TO ORDER
 CABLE 278 RF - X X X - X - X - X X

"L" LENGTH IN MM:
 eg: 100MM = 100
 (MIN. 050 - MAX. 400)
 STANDARD = 100, 150, 200
 Tolerance: =50mm : $\pm 2\text{mm}$.
 51-200mm: $\pm 5\text{mm}$.
 201-400mm: $\pm 7\text{mm}$.

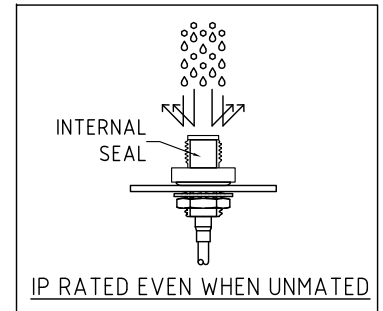
HEATSHRINK TUBES OPTIONS:
 BLANK = WITH HEATSHRINK TUBES (STANDARD)
 NT = WITHOUT HEATSHRINK TUBES

CABLE SIZE OPTIONS:
 1 = $\phi 1.32\text{MM}$ DS CABLE, COLOR: GRAY.
 2 = $\phi 1.32\text{MM}$ CABLE, COLOR: GRAY.
 3 = $\phi 1.37\text{MM}$ CABLE, COLOR: BLACK.

WASHER AND NUT OPTIONS:
 BLANK = SEPARATELY PACKED (STANDARD)
 A = ASSEMBLED WITH CONNECTOR



RECOMMENDED TNC MOUNTING HOLE



REV.	DATE & DRN
10	15/06/17 - NYW RELEASE
11	27/09/18 - NYW OPTION ADD HEATSHRINK TUBE OPTION
12	20/08/20 - NYW ADD NOTE 2.
13	10/03/24 - CC ADD IP RATING VIEW

Scale:	NTS	THIRD ANGLE	Unstated Tolerances:
Drawn:	CC		.X N/A .XX N/A .XXX N/A ANGLES N/A
App'd:	XXX	Title	CABLE ASSEMBLY
Date:	10 MAR. '24	Revision:	1.3
		Unit:	mm

 IP Rated RF Products	 www.gradconn.com	Type: Cable 278 RF
		CABLE 278 RF
THIS DRAWING IS CONFIDENTIAL AND MUST NOT BE COPIED OR DISCLOSED WITHOUT WRITTEN CONSENT		Drawing Number:
		Sheet 1 of 1
		Drawing © E and O E